



HW Ventilation



SR AXIAL IMPELLERS

Silent sickle profile axial impellers, diameters from 550 mm to 1100 mm

PRODUCT FEATURES

SR impellers are manufactured assembling sickle profile blades, with a light aluminum alloy hub. The impellers are thought to be employed in applications that require low noise emission levels. The impellers can be assembled with 3/5/6/8 blades, using TM family hubs for 5/9/12/16 blades. Blades have variable right setting angles ranging from 20° to 37,5°, and can produce a sucking or blowing air flow.

APPLICATIONS

- Animal farms
- Snow cannons
- Cars and industrial vehicles
- Conditioners
- Generator units
- Axial Ventilators
- Earth moving machines
- Radiators
- Refrigeration and freezing
- Heat exchangers
- Cooling towers
- Agricultural machineries and tractors

BLADE MATERIALS

SR blades are available in different types of plastic materials to suit a variety of applications which require different temperatures and rotation speeds.

MATERIAL	DESCRIPTION	STD. COLOR*	OP. TEMPERATURE**
PAG	Polyamide Glass Reinforced (PA6)	White	-40°C to +120°C
PAS	Polyamide Glass Reinforced (PA6)	Black	-40°C to +120°C

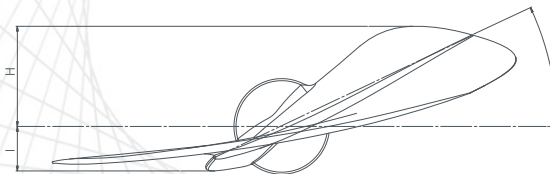
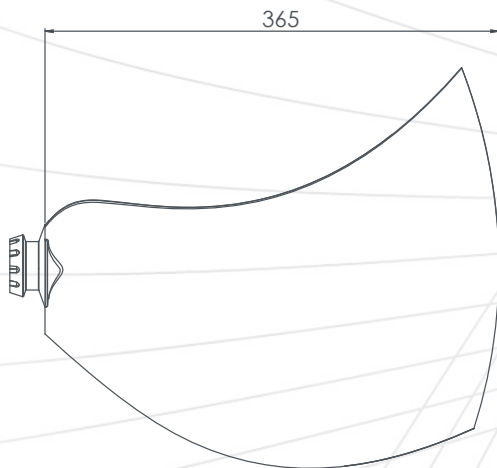
*Custom colors available upon request **Contact technical dpt. for customized advice

SPECIFICATIONS AND DIMENSIONS

SR impellers are configurable with 3/5/6/8 sickle-right blades. Blades are available with right setting angles ranging from 20° to 37,5°.

Blade	Hub	Hub Ø [mm]	MIN Ø [mm]	MAX Ø [mm]	Configurations
SR	5	150	550	875	5-5
	9	200	570	922	9-3
	12	280	625	1003	12-6
	16	375	650	1100	16-8

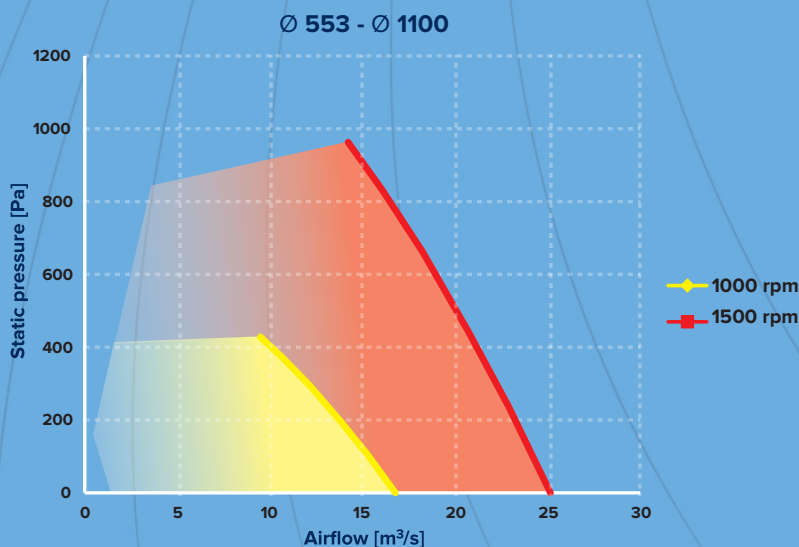
Dimensions by Angle								
α	20°	22,5°	25°	27,5°	30°	32,5°	35°	37,5°
H	61	64	70	74	79	83	88	92
l	27	28	31	35	42	49	58	64



ENERGY EFFICIENCY

Our fans have been tested in **AMCA 210/07** wind tunnel and comply with the requirements of EU Directive 2015 on Energy Efficiency for axial fans. For further info contact our technical department.

PERFORMANCE DIAGRAMS



www.hwventilation.it

HW Ventilation is distributed in India by:

CRYSTAL
Ventilations Pvt. Ltd.

S. No. 77/5, Vishnu Malati
Industrial Estate, Pune -
411023, Maharashtra, (INDIA)

Phone +91 20 2529 3440
Mob. 09822090274
Email crystalventilation@gmail.com